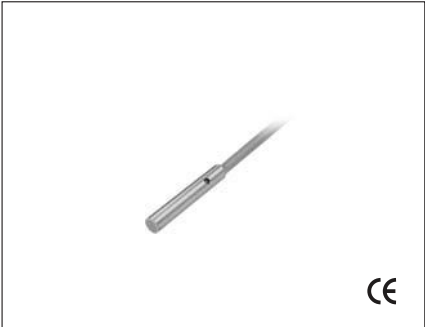


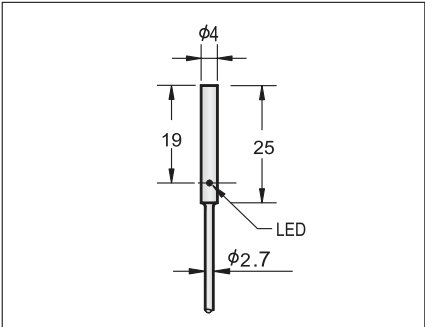
DC ULTRA-MINI INDUCTIVE PROXIMITY SENSORS

$\phi 4$
●
0.8 mm
Stainless steel
●



10-30VDC
<10%
<10mA
200mA
<0.01mA
<1.5V
2KHZ
0.1ms/0.1ms
<15%(Sr)
<1.0%(Sr)
IP67
-25°C - +70°C
<10%(Sr)
YES
220mA
POM

HG-A0.8NO-Q4E	1
HG-A0.8NC-Q4E	2
HG-A0.8PO-Q4E	3
HG-A0.8PC-Q4E	4



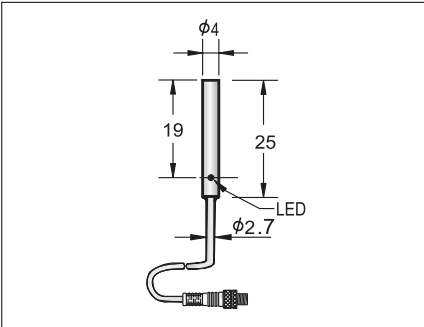
2.7 ϕ 3x0.15
approx.25 g

$\phi 4$
●
0.8 mm
Stainless steel
●



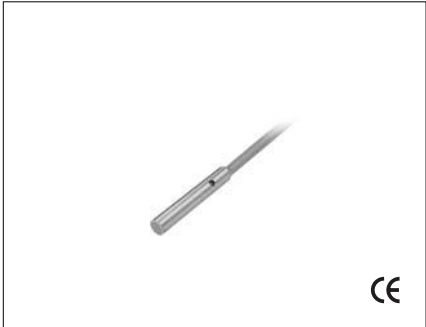
10-30VDC
<10%
<10mA
200mA
<0.01mA
<1.5V
2KHZ
0.1ms/0.1ms
<15%(Sr)
<1.0%(Sr)
IP67
-25°C - +70°C
<10%(Sr)
YES
220mA
POM

HG-A0.8NO-Q4F3	1
HG-A0.8NC-Q4F3	2
HG-A0.8PO-Q4F3	3
HG-A0.8PC-Q4F3	4



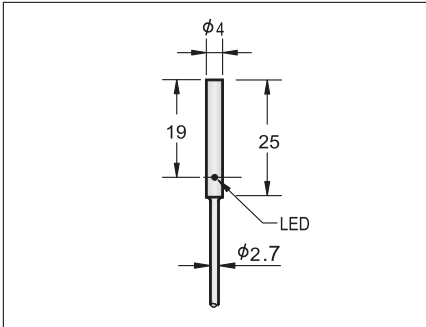
2.7 ϕ 3x0.15
approx.25 g

$\phi 4$
●
1.5 mm
Stainless steel
●



10-30VDC
<10%
<10mA
200mA
<0.01mA
<1.5V
2KHZ
0.1ms/0.1ms
<15%(Sr)
<1.0%(Sr)
IP67
-25°C - +70°C
<10%(Sr)
YES
220mA
POM

HG-A1.5NO-Q4E	1
HG-A1.5NC-Q4E	2
HG-A1.5PO-Q4E	3
HG-A1.5PC-Q4E	4



2.7 ϕ 3x0.15
approx.25 g

DC ULTRA-MINI INDUCTIVE PROXIMITY SENSORS

Diameter
● Shielded ○ Non-shielded
Switching Distance Sn: mm
Housing Material
● With LED ○ Without LED

Picture

Operating Voltage	10-30VDC
Ripple	<10%
No Load Current	<10mA
Max. Load Current	200mA
Leakage Current	<0.01mA
Voltage Drop	<1.5V
Switching Frequency	2KHZ
Response Time	0.1ms/0.1ms
Switching Hysteresis	<15%(Sr)
Repeat Accuracy	<1.0%(Sr)
Protection Category	IP67
Operating Temperature	-25°C - +70°C
Temperature Drift	<10%(Sr)
Short Circuit Protection	YES
Overload Trip Point	220mA
Material Active Face	POM

DC 3 wire 10-30V NPN N.O.	HG-A1.5NO-Q4F3	1
DC 3 wire 10-30V NPN N.C.	HG-A1.5NC-Q4F3	2
DC 3 wire 10-30V PNP N.O.	HG-A1.5PO-Q4F3	3
DC 3 wire 10-30V PNP N.C.	HG-A1.5PC-Q4F3	4
DC 4 wire 10-30V Changeover PNP (N.O. & N.C.)		
DC 4 wire 10-30V Changeover NPN (N.O. & N.C.)		
DC 2 wire 10-60V N.O.		
DC 2 wire 10-60V N.C.		
DC 3 wire 10-55V NPN N.O.		
DC 3 wire 10-55V NPN N.C.		
DC 3 wire 10-55V PNP N.O.		
DC 3 wire 10-55V PNP N.C.		
DC 3 wire 5-36V NPN N.O.		
DC 3 wire 5-36V NPN N.C.		
DC 3 wire 5-36V PNP N.O.		
DC 3 wire 5-36V PNP N.C.		
DC 4 wire 5-36V Changeover PNP (N.O. & N.C.)		
DC 4 wire 5-36V Changeover NPN (N.O. & N.C.)		

Dimensions (unit: mm)

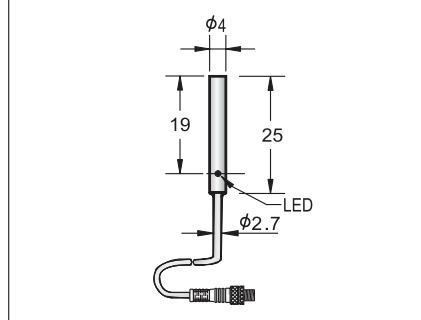
Cable 2M (PUR)	2.7φ 3x0.15
Weight	approx.25 g

φ4
●
1.5 mm
Stainless steel
●



Operating Voltage	10-30VDC
Ripple	<10%
No Load Current	<10mA
Max. Load Current	200mA
Leakage Current	<0.01mA
Voltage Drop	<1.5V
Switching Frequency	2KHZ
Response Time	0.1ms/0.1ms
Switching Hysteresis	<15%(Sr)
Repeat Accuracy	<1.0%(Sr)
Protection Category	IP67
Operating Temperature	-25°C - +70°C
Temperature Drift	<10%(Sr)
Short Circuit Protection	YES
Overload Trip Point	220mA
Material Active Face	POM

DC 3 wire 10-30V NPN N.O.	HG-A1.5NO-Q4F3	1
DC 3 wire 10-30V NPN N.C.	HG-A1.5NC-Q4F3	2
DC 3 wire 10-30V PNP N.O.	HG-A1.5PO-Q4F3	3
DC 3 wire 10-30V PNP N.C.	HG-A1.5PC-Q4F3	4
DC 4 wire 10-30V Changeover PNP (N.O. & N.C.)		
DC 4 wire 10-30V Changeover NPN (N.O. & N.C.)		
DC 2 wire 10-60V N.O.		
DC 2 wire 10-60V N.C.		
DC 3 wire 10-55V NPN N.O.		
DC 3 wire 10-55V NPN N.C.		
DC 3 wire 10-55V PNP N.O.		
DC 3 wire 10-55V PNP N.C.		
DC 3 wire 5-36V NPN N.O.		
DC 3 wire 5-36V NPN N.C.		
DC 3 wire 5-36V PNP N.O.		
DC 3 wire 5-36V PNP N.C.		
DC 4 wire 5-36V Changeover PNP (N.O. & N.C.)		
DC 4 wire 5-36V Changeover NPN (N.O. & N.C.)		



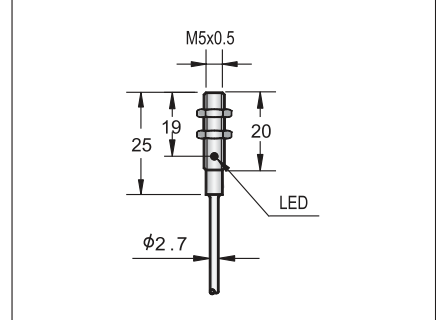
Cable 2M (PUR)	2.7φ 3x0.15
Weight	approx.25 g

M5
●
0.8 mm
Stainless steel
●



Operating Voltage	10-30VDC
Ripple	<10%
No Load Current	<10mA
Max. Load Current	200mA
Leakage Current	<0.01mA
Voltage Drop	<1.5V
Switching Frequency	2KHZ
Response Time	0.1ms/0.1ms
Switching Hysteresis	<15%(Sr)
Repeat Accuracy	<1.0%(Sr)
Protection Category	IP67
Operating Temperature	-25°C - +70°C
Temperature Drift	<10%(Sr)
Short Circuit Protection	YES
Overload Trip Point	220mA
Material Active Face	POM

DC 3 wire 10-30V NPN N.O.	HG-A0.8NO-M5E	1
DC 3 wire 10-30V NPN N.C.	HG-A0.8NC-M5E	2
DC 3 wire 10-30V PNP N.O.	HG-A0.8PO-M5E	3
DC 3 wire 10-30V PNP N.C.	HG-A0.8PC-M5E	4
DC 4 wire 10-30V Changeover PNP (N.O. & N.C.)		
DC 4 wire 10-30V Changeover NPN (N.O. & N.C.)		
DC 2 wire 10-60V N.O.		
DC 2 wire 10-60V N.C.		
DC 3 wire 10-55V NPN N.O.		
DC 3 wire 10-55V NPN N.C.		
DC 3 wire 10-55V PNP N.O.		
DC 3 wire 10-55V PNP N.C.		
DC 3 wire 5-36V NPN N.O.		
DC 3 wire 5-36V NPN N.C.		
DC 3 wire 5-36V PNP N.O.		
DC 3 wire 5-36V PNP N.C.		
DC 4 wire 5-36V Changeover PNP (N.O. & N.C.)		
DC 4 wire 5-36V Changeover NPN (N.O. & N.C.)		



Cable 2M (PUR)	2.7φ 3x0.15
Weight	approx.25 g