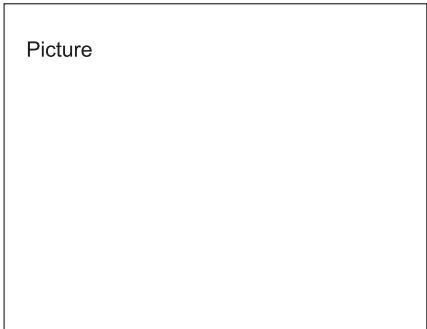


DC INDUCTIVE PROXIMITY SENSORS

Diameter

● Shielded ○ Non-shielded
Switching Distance Sn: mm
Housing Material
● With LED ○ Without LED



Operating Voltage
Ripple
No Load Current
Max. Load Current
Leakage Current
Voltage Drop
Switching Frequency
Response Time
Switching Hysteresis
Repeat Accuracy
Protection Category
Operating Temperature
Temperature Drift
Short Circuit Protection
Overload Trip Point
Material Active Face

DC 3 wire 10-30V NPN N.O.
DC 3 wire 10-30V NPN N.C.
DC 3 wire 10-30V PNP N.O.
DC 3 wire 10-30V PNP N.C.
DC 4 wire 10-30V Changeover PNP (N.O. & N.C.)
DC 4 wire 10-30V Changeover NPN (N.O. & N.C.)
DC 2 wire 10-60V N.O. *
DC 2 wire 10-60V N.C. *
DC 3 wire 10-55V NPN N.O.
DC 3 wire 10-55V NPN N.C.
DC 3 wire 10-55V PNP N.O.
DC 3 wire 10-55V PNP N.C.
DC 3 wire 5-36V NPN N.O.
DC 3 wire 5-36V NPN N.C.
DC 3 wire 5-36V PNP N.O.
DC 3 wire 5-36V PNP N.C.
DC 4 wire 5-36V Changeover PNP (N.O & N.C.)
DC 4 wire 5-36V Changeover NPN (N.O & N.C.)

Dimensions (unit: mm)

Cable 2M (PVC)
Weight

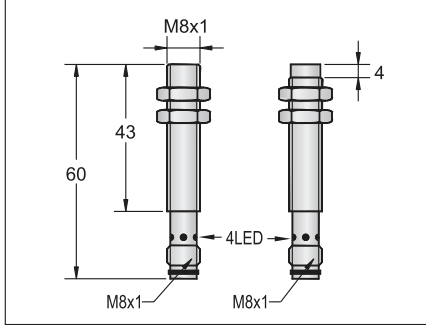
M8

●	○
1mm	2mm
Stainless steel	
●	



10-30VDC / 5-36VDC / 10-55V / 10-60VDC
<10%
<10mA
200mA
<0.01mA
<1.5V
2KHZ
0.1ms/0.1ms
<15%(Sr)
<1.0%(Sr)
IP67
-25 °C - +70 °C
<10%(Sr)
YES
220mA
POM

HG-A1NO-M8F1-1	1	HG-B2NO-M8F1-1
HG-A1NC-M8F1-1	2	HG-B2NC-M8F1-1
HG-A1PO-M8F1-1	3	HG-B2PO-M8F1-1
HG-A1PC-M8F1-1	4	HG-B2PC-M8F1-1
HG-A1PS-M8F1-1	5	HG-B2PS-M8F1-1
HG-A1NS-M8F1-1	6	HG-B2NS-M8F1-1
HG-A1DO-M8F1-1	7	HG-B2DO-M8F1-1
HG-A1DC-M8F1-1	8	HG-B2DC-M8F1-1
	1	
	2	
	3	
	4	
	1	
	2	
	3	
	4	
	5	
	6	



Approx. 15 g

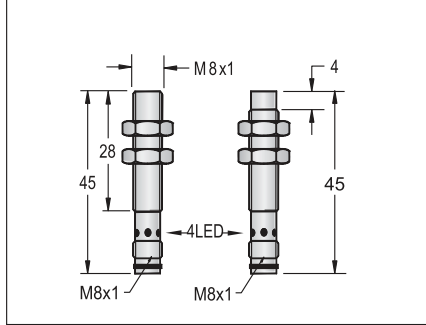
M8

●	○
1 mm	2 mm
Stainless steel	
●	



10-30VDC / 5-36VDC
<10%
<10mA
200mA
<0.01mA
<1.5V
2KHZ
0.1ms/0.1ms
<15%(Sr)
<1.0%(Sr)
IP67
-25 °C - +70 °C
<10%(Sr)
YES
220mA
POM

HG-A1NO-M8F1-2	1	HG-B2NO-M8F1-2
HG-A1NC-M8F1-2	2	HG-B2NC-M8F1-2
HG-A1PO-M8F1-2	3	HG-B2PO-M8F1-2
HG-A1PC-M8F1-2	4	HG-B2PC-M8F1-2
	1	
	2	
	3	
	4	



Approx. 12 g

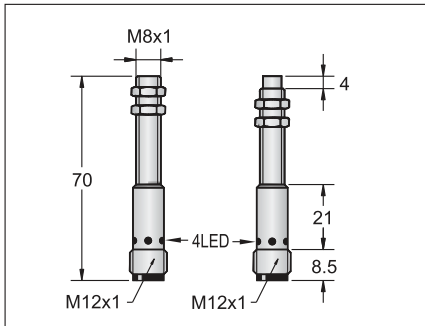
DC INDUCTIVE PROXIMITY SENSORS

M8	
●	○
1mm	2mm
Stainless steel or Nickel plated brass	
●	



10-30VDC / 5-36VDC /10-55V/ 10-60VDC
<10%
<10mA
200mA
<0.01mA
<1.5V
2KHZ
0.1ms/0.1ms
<15%(Sr)
<1.0%(Sr)
IP67
-25°C - +70°C
<10%(Sr)
YES
220mA
POM

HG-A1NO-M8F2-1	1	HG-B2NO-M8F2-1
HG-A1NC-M8F2-1	2	HG-B2NC-M8F2-1
HG-A1PO-M8F2-1	3	HG-B2PO-M8F2-1
HG-A1PC-M8F2-1	4	HG-B2PC-M8F2-1
HG-A1PS-M8F2-1	5	HG-B2PS-M8F2-1
HG-A1NS-M8F2-1	6	HG-B2NS-M8F2-1
HG-A1DO-M8F2-1	7	HG-B2DO-M8F2-1
HG-A1DC-M8F2-1	8	HG-B2DC-M8F2-1
	1	
	2	
	3	
	4	
	1	
	2	
	3	
	4	
	5	
	6	



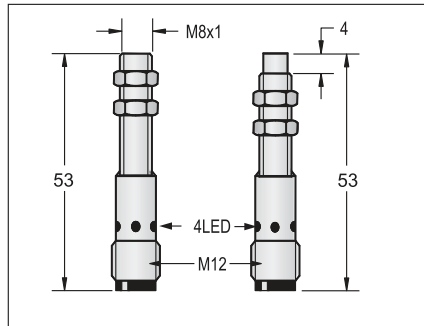
Approx.22 g

M8	
●	○
1 mm	2 mm
Stainless steel or Nickel plated brass	
●	



10-30VDC / 5-36VDC
<10%
<10mA
200mA
<0.01mA
<1.5V
2KHZ
0.1ms/0.1ms
<15%(Sr)
<1.0%(Sr)
IP67
-25°C - +70°C
<10%(Sr)
YES
220mA
POM

HG-A1NO-M8F2-2	1	HG-B2NO-M8F2-2
HG-A1NC-M8F2-2	2	HG-B2NC-M8F2-2
HG-A1PO-M8F2-2	3	HG-B2PO-M8F2-2
HG-A1PC-M8F2-2	4	HG-B2PC-M8F2-2
	1	
	2	
	3	
	4	



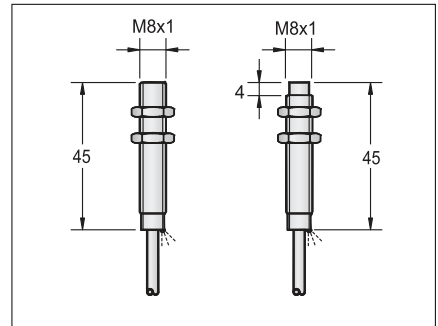
Approx.17 g

M8	
●	○
2mm	4mm
Stainless steel or Nickel plated brass	
●	



10-30VDC	
<10%	
<10mA	
200mA	
<0.01mA	
<2.0V	
2KHZ	1KHZ
0.1ms/0.1ms	0.2ms/0.2ms
<15%(Sr)	
<1.0%(Sr)	
IP67	
-25°C - +70°C	
<10%(Sr)	
YES	
220mA	
POM	

HG-A2NO-M8E-1	1	HG-B4NO-M8E-1
HG-A2NC-M8E-1	2	HG-B4NC-M8E-1
HG-A2PO-M8E-1	3	HG-B4PO-M8E-1
HG-A2PC-M8E-1	4	HG-B4PC-M8E-1



3φ 3x0.15 or 3φ 4x0.15
Approx.40 g