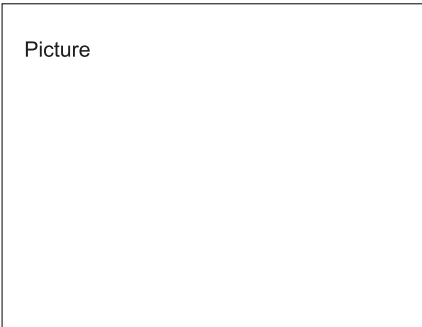


# DC INDUCTIVE PROXIMITY SENSORS

Diameter
● Shielded ○ Non-shielded
Switching Distance Sn: mm
Housing Material
● With LED ○ Without LED



Operating Voltage	10-30VDC
Ripple	<10%
No Load Current	<10mA
Max. Load Current	200mA
Leakage Current	<0.01mA
Voltage Drop	<2.0V
Switching Frequency	800HZ 400HZ
Response Time	0.2ms/0.2ms 0.3ms/0.3ms
Switching Hysteresis	<15%(Sr)
Repeat Accuracy	<1.0%(Sr)
Protection Category	IP67
Operating Temperature	-25 °C - +70 °C
Temperature Drift	<10%(Sr)
Short Circuit Protection	YES
Overload Trip Point	220mA
Material Active Face	POM PBT

DC 3 wire 10-30V NPN N.O.	HG-A6NO-M12F2-2	1	HG-B10NO-M12F2-2
DC 3 wire 10-30V NPN N.C.	HG-A6NC-M12F2-2	2	HG-B10NC-M12F2-2
DC 3 wire 10-30V PNP N.O.	HG-A6PO-M12F2-2	3	HG-B10PO-M12F2-2
DC 3 wire 10-30V PNP N.C.	HG-A6PC-M12F2-2	4	HG-B10PC-M12F2-2
DC 4 wire 10-30V Changeover PNP (N.O. & N.C.)			
DC 4 wire 10-30V Changeover NPN (N.O. & N.C.)			
DC 2 wire 10-60V N.O. *			
DC 2 wire 10-60V N.C. *			
DC 3 wire 10-55V NPN N.O.			
DC 3 wire 10-55V NPN N.C.			
DC 3 wire 10-55V PNP N.O.			
DC 3 wire 10-55V PNP N.C.			
DC 3 wire 5-36V NPN N.O.			
DC 3 wire 5-36V NPN N.C.			
DC 3 wire 5-36V PNP N.O.			
DC 3 wire 5-36V PNP N.C.			
DC 4 wire 5-36V Changeover PNP (N.O & N.C.)			
DC 4 wire 5-36V Changeover NPN (N.O & N.C.)			

Dimensions (unit: mm)

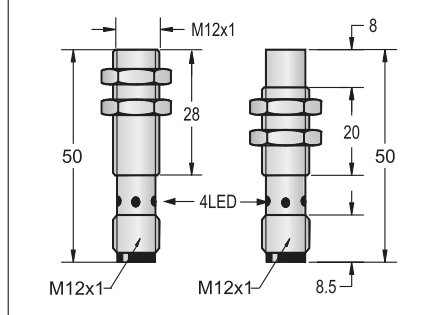
Cable 2M (PVC)
Weight

M12	
●	○
6 mm	10 mm
Nickel plated brass	
●	



Operating Voltage	10-30VDC
Ripple	<10%
No Load Current	<10mA
Max. Load Current	200mA
Leakage Current	<0.01mA
Voltage Drop	<2.0V
Switching Frequency	800HZ 400HZ
Response Time	0.2ms/0.2ms 0.3ms/0.3ms
Switching Hysteresis	<15%(Sr)
Repeat Accuracy	<1.0%(Sr)
Protection Category	IP67
Operating Temperature	-25 °C - +70 °C
Temperature Drift	<10%(Sr)
Short Circuit Protection	YES
Overload Trip Point	220mA
Material Active Face	POM PBT

DC 3 wire 10-30V NPN N.O.	HG-A6NO-M12F2-2	1	HG-B10NO-M12F2-2
DC 3 wire 10-30V NPN N.C.	HG-A6NC-M12F2-2	2	HG-B10NC-M12F2-2
DC 3 wire 10-30V PNP N.O.	HG-A6PO-M12F2-2	3	HG-B10PO-M12F2-2
DC 3 wire 10-30V PNP N.C.	HG-A6PC-M12F2-2	4	HG-B10PC-M12F2-2
DC 4 wire 10-30V Changeover PNP (N.O. & N.C.)			
DC 4 wire 10-30V Changeover NPN (N.O. & N.C.)			
DC 2 wire 10-60V N.O. *			
DC 2 wire 10-60V N.C. *			
DC 3 wire 10-55V NPN N.O.			
DC 3 wire 10-55V NPN N.C.			
DC 3 wire 10-55V PNP N.O.			
DC 3 wire 10-55V PNP N.C.			
DC 3 wire 5-36V NPN N.O.			
DC 3 wire 5-36V NPN N.C.			
DC 3 wire 5-36V PNP N.O.			
DC 3 wire 5-36V PNP N.C.			
DC 4 wire 5-36V Changeover PNP (N.O & N.C.)			
DC 4 wire 5-36V Changeover NPN (N.O & N.C.)			



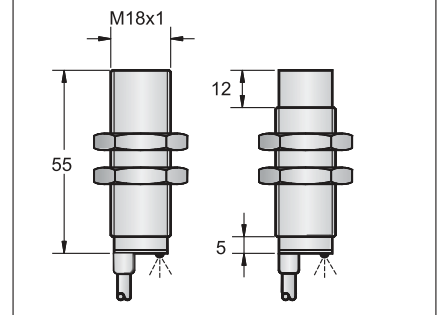
Weight	approx.25 g	Approx.23 g
--------	-------------	-------------

M18	
●	○
5 mm	8 mm
stainless steel or nickel plated brass	
●	



Operating Voltage	10-30VDC / 5-36VDC / 10-55VDC / 10-60VDC
Ripple	<10%
No Load Current	<10mA
Max. Load Current	200mA
Leakage Current	<0.01mA
Voltage Drop	<1.5V
Switching Frequency	1KHZ 500HZ
Response Time	0.2ms/0.2ms 0.5ms/0.5ms
Switching Hysteresis	<15%(Sr)
Repeat Accuracy	<1.0%(Sr)
Protection Category	IP67
Operating Temperature	-25 °C - +70 °C
Temperature Drift	<10%(Sr)
Short Circuit Protection	YES
Overload Trip Point	220mA
Material Active Face	PBT

DC 3 wire 10-30V NPN N.O.	HG-A5NO-M18E	1	HG-B8NO-M18E
DC 3 wire 10-30V NPN N.C.	HG-A5NC-M18E	2	HG-B8NC-M18E
DC 3 wire 10-30V PNP N.O.	HG-A5PO-M18E	3	HG-B8PO-M18E
DC 3 wire 10-30V PNP N.C.	HG-A5PC-M18E	4	HG-B8PC-M18E
DC 4 wire 10-30V Changeover PNP (N.O. & N.C.)	HG-A5PS-M18E	5	HG-B8PS-M18E
DC 4 wire 10-30V Changeover NPN (N.O. & N.C.)	HG-A5NS-M18E	6	HG-B8NS-M18E
DC 2 wire 10-60V N.O. *	HG-A5DO-M18E	7	HG-B8DO-M18E
DC 2 wire 10-60V N.C. *	HG-A5DC-M18E	8	HG-B8DC-M18E
DC 3 wire 10-55V NPN N.O.		1	
DC 3 wire 10-55V NPN N.C.		2	
DC 3 wire 10-55V PNP N.O.		3	
DC 3 wire 10-55V PNP N.C.		4	
DC 3 wire 5-36V NPN N.O.		1	
DC 3 wire 5-36V NPN N.C.		2	
DC 3 wire 5-36V PNP N.O.		3	
DC 3 wire 5-36V PNP N.C.		4	
DC 4 wire 5-36V Changeover PNP (N.O & N.C.)		5	
DC 4 wire 5-36V Changeover NPN (N.O & N.C.)		6	



Weight	5.8φ 3x0.5 or 5.8φ 4x0.5	Approx.153 g	Approx.144 g
--------	--------------------------	--------------	--------------

# DC INDUCTIVE PROXIMITY SENSORS

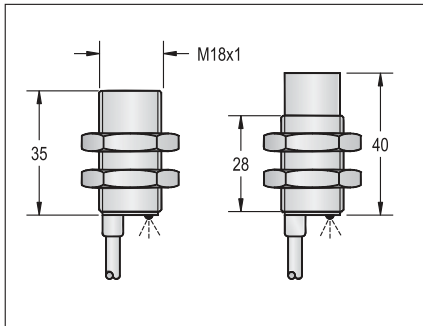
M18	
●	○
5 mm	8 mm
stainless steel or nickel plated brass	
●	



10-30VDC / 5-36VDC / 10-55VDC / 10-60VDC	
<10%	
<10mA	
200mA	
<0.01mA	
<1.5V	
1KHZ	500HZ
0.2ms/0.2ms	0.5ms/0.5ms
<15%(Sr)	
<1.0%(Sr)	
IP67	
-25 °C - +70 °C	
<10%(Sr)	
YES	
220mA	
PBT	

HG-A5NO-M18E-1	1	HG-B8NO-M18E
HG-A5NC-M18E-1	2	HG-B8NC-M18E
HG-A5PO-M18E-1	3	HG-B8PO-M18E
HG-A5PC-M18E-1	4	HG-B8PC-M18E
HG-A5PS-M18E-1	5	HG-B8PS-M18E
HG-A5NS-M18E-1	6	HG-B8NS-M18E
HG-A5DO-M18E-1	7	HG-B8DO-M18E
HG-A5DC-M18E-1	8	HG-B8DC-M18E

1
2
3
4
1
2
3
4
5
6



4φ 3x0.34 or 4φ 4x0.34
Approx.132 g      Approx.134 g

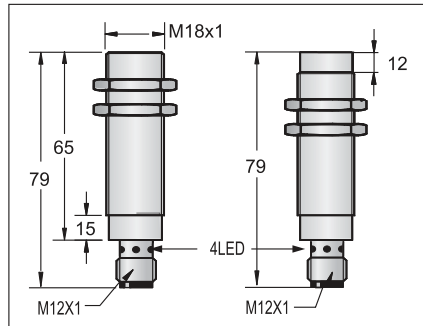
M18	
●	○
5 mm	8 mm
stainless steel or nickel plated brass	
●	



10-30VDC / 5-36VDC / 10-55VDC / 10-60VDC	
<10%	
<10mA	
200mA	
<0.01mA	
<1.5V	
1KHZ	500HZ
0.2ms/0.2ms	0.5ms/0.5ms
<15%(Sr)	
<1.0%(Sr)	
IP67	
-25 °C - +70 °C	
<10%(Sr)	
YES	
220mA	
PBT	

HG-A5NO-M18F2	1	HG-B8NO-M18F2
HG-A5NC-M18F2	2	HG-B8NC-M18F2
HG-A5PO-M18F2	3	HG-B8PO-M18F2
HG-A5PC-M18F2	4	HG-B8PC-M18F2
HG-A5PS-M18F2	5	HG-B8PS-M18F2
HG-A5NS-M18F2	6	HG-B8NS-M18F2
HG-A5DO-M18F2	7	HG-B8DO-M18F2
HG-A5DC-M18F2	8	HG-B8DC-M18F2

1
2
3
4
1
2
3
4
5
6



Approx.94 g      Approx.91 g
------------------------------

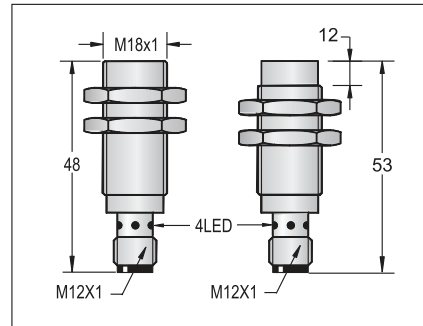
M18	
●	○
5 mm	8 mm
stainless steel or nickel plated brass	
●	



10-30VDC / 5-36VDC / 10-55VDC / 10-60VDC	
<10%	
<10mA	
200mA	
<0.01mA	
<1.5V	
1KHZ	500HZ
0.2ms/0.2ms	0.5ms/0.5ms
<15%(Sr)	
<1.0%(Sr)	
IP67	
-25 °C - +70 °C	
<10%(Sr)	
YES	
220mA	
PBT	

HG-A5NO-M18F2-1	1	HG-B8NO-M18F2-1
HG-A5NC-M18F2-1	2	HG-B8NC-M18F2-1
HG-A5PO-M18F2-1	3	HG-B8PO-M18F2-1
HG-A5PC-M18F2-1	4	HG-B8PC-M18F2-1
HG-A5PS-M18F2-1	5	HG-B8PS-M18F2-1
HG-A5NS-M18F2-1	6	HG-B8NS-M18F2-1
HG-A5DO-M18F2-1	7	HG-B8DO-M18F2-1
HG-A5DC-M18F2-1	8	HG-B8DC-M18F2-1

1
2
3
4
1
2
3
4
5
6



Approx.50 g
-------------