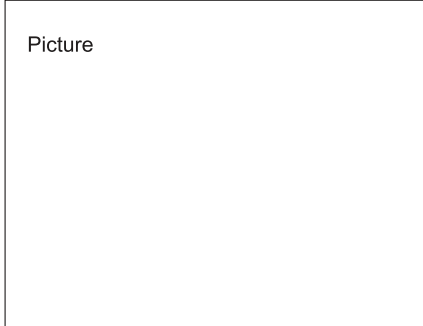


DC INDUCTIVE PROXIMITY SENSORS

Diameter
● Shielded ○ Non-shielded
Switching Distance Sn: mm
Housing Material
● With LED ○ Without LED



Operating Voltage	10-30VDC / 5-36VDC / 10-55VDC / 10-60VDC
Ripple	<10%
No Load Current	<10mA
Max. Load Current	200mA
Leakage Current	<0.01mA
Voltage Drop	<1.5V
Switching Frequency	1KHZ 500HZ
Response Time	0.2ms/0.2ms 0.5ms/0.5ms
Switching Hysteresis	<15%(Sr)
Repeat Accuracy	<1.0%(Sr)
Protection Category	IP67
Operating Temperature	-25 °C - +70 °C
Temperature Drift	<10%(Sr)
Short Circuit Protection	YES
Overload Trip Point	220mA
Material Active Face	PBT

DC 3 wire 10-30V NPN N.O.	HG-A8NO-M18F2	1	HG-B16NO-M18F2
DC 3 wire 10-30V NPN N.C.	HG-A8NC-M18F2	2	HG-B16NC-M18F2
DC 3 wire 10-30V PNP N.O.	HG-A8PO-M18F2	3	HG-B16PO-M18F2
DC 3 wire 10-30V PNP N.C.	HG-A8PC-M18F2	4	HG-B16PC-M18F2
DC 4 wire 10-30V Changeover PNP (N.O. & N.C.)	HG-A8PS-M18F2	5	HG-B16PS-M18F2
DC 4 wire 10-30V Changeover NPN (N.O. & N.C.)	HG-A8NS-M18F2	6	HG-B16NS-M18F2
DC 2 wire 10-60V N.O. *	HG-A8DO-M18F2	7	HG-B16DO-M18F2
DC 2 wire 10-60V N.C. *	HG-A8DC-M18F2	8	HG-B16DC-M18F2
DC 3 wire 10-55V NPN N.O.		1	
DC 3 wire 10-55V NPN N.C.		2	
DC 3 wire 10-55V PNP N.O.		3	
DC 3 wire 10-55V PNP N.C.		4	
DC 3 wire 5-36V NPN N.O.		1	
DC 3 wire 5-36V NPN N.C.		2	
DC 3 wire 5-36V PNP N.O.		3	
DC 3 wire 5-36V PNP N.C.		4	
DC 4 wire 5-36V Changeover PNP (N.O & N.C.)		5	
DC 4 wire 5-36V Changeover NPN (N.O & N.C.)		6	

Dimensions (unit: mm)

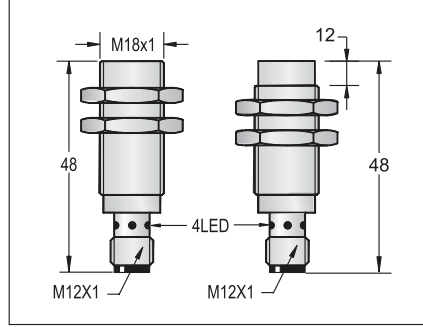
Cable 2M (PVC)
Weight

M18	
●	○
8 mm	16 mm
stainless steel or nickel plated brass	
●	



10-30VDC / 5-36VDC / 10-55VDC / 10-60VDC	
<10%	
<10mA	
200mA	
<0.01mA	
<1.5V	
1KHZ	500HZ
0.2ms/0.2ms	0.5ms/0.5ms
<15%(Sr)	
<1.0%(Sr)	
IP67	
-25 °C - +70 °C	
<10%(Sr)	
YES	
220mA	
PBT	

HG-A8NO-M18F2	1	HG-B16NO-M18F2
HG-A8NC-M18F2	2	HG-B16NC-M18F2
HG-A8PO-M18F2	3	HG-B16PO-M18F2
HG-A8PC-M18F2	4	HG-B16PC-M18F2
HG-A8PS-M18F2	5	HG-B16PS-M18F2
HG-A8NS-M18F2	6	HG-B16NS-M18F2
HG-A8DO-M18F2	7	HG-B16DO-M18F2
HG-A8DC-M18F2	8	HG-B16DC-M18F2
	1	
	2	
	3	
	4	
	1	
	2	
	3	
	4	
	5	
	6	



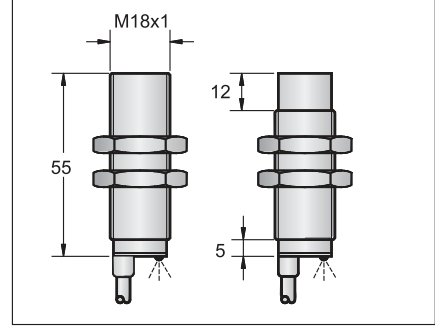
Approx.50 g	Approx.50 g
-------------	-------------

M18	
●	○
8 mm	16 mm
stainless steel or nickel plated brass	
●	



10-30VDC / 5-36VDC / 10-55VDC / 10-60VDC	
<10%	
<10mA	
200mA	
<0.01mA	
<2.0V	
500HZ	150HZ
0.5ms/0.5ms	1ms/1ms
<15%(Sr)	
<1.0%(Sr)	
IP67	
-25 °C - +70 °C	
<10%(Sr)	
YES	
220mA	
PBT	

HG-A8NO-M18E	1	HG-B16NO-M18E
HG-A8NC-M18E	2	HG-B16NC-M18E
HG-A8PO-M18E	3	HG-B16PO-M18E
HG-A8PC-M18E	4	HG-B16PC-M18E
HG-A8PS-M18E	5	HG-B16PS-M18E
HG-A8NS-M18E	6	HG-B16NS-M18E
HG-A8DO-M18E	7	HG-B16DO-M18E
HG-A8DC-M18E	8	HG-B16DC-M18E
	1	
	2	
	3	
	4	
	1	
	2	
	3	
	4	
	5	
	6	



Approx.153 g	Approx.144 g
--------------	--------------

