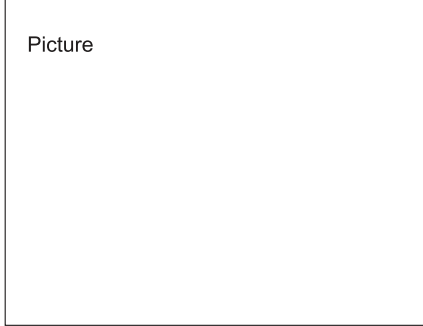


DC INDUCTIVE PROXIMITY SENSORS

Diameter

● Shielded ○ Non-shielded
Switching Distance Sn: mm
Housing Material
● With LED ○ Without LED



Operating Voltage	10-30VDC / 5-36VDC / 10-55VDC / 10-60VDC
Ripple	<10%
No Load Current	<10mA
Max. Load Current	200mA
Leakage Current	<0.01mA
Voltage Drop	<1.5V
Switching Frequency	300HZ 150HZ
Response Time	0.5ms/0.5ms 1ms/1ms
Switching Hysteresis	<15%(Sr)
Repeat Accuracy	<1.0%(Sr)
Protection Category	IP67
Operating Temperature	-25 °C - +70 °C
Temperature Drift	<10%(Sr)
Short Circuit Protection	YES
Overload Trip Point	220mA
Material Active Face	PBT

DC 3 wire 10-30V NPN N.O.	HG-A10NO-M30E	1	HG-B15NO-M30E
DC 3 wire 10-30V NPN N.C.	HG-A10NC-M30E	2	HG-B15NC-M30E
DC 3 wire 10-30V PNP N.O.	HG-A10PO-M30E	3	HG-B15PO-M30E
DC 3 wire 10-30V PNP N.C.	HG-A10PC-M30E	4	HG-B15PC-M30E
DC 4 wire 10-30V Changeover PNP (N.O. & N.C.)	HG-A10PS-M30E	5	HG-B15PS-M30E
DC 4 wire 10-30V Changeover NPN (N.O. & N.C.)	HG-A10NS-M30E	6	HG-B15NS-M30E
DC 2 wire 10-60V N.O. *	HG-A10DO-M30E	7	HG-B15DO-M30E
DC 2 wire 10-60V N.C. *	HG-A10DC-M30E	8	HG-B15DC-M30E
DC 3 wire 10-55V NPN N.O.		1	
DC 3 wire 10-55V NPN N.C.		2	
DC 3 wire 10-55V PNP N.O.		3	
DC 3 wire 10-55V PNP N.C.		4	
DC 3 wire 5-36V NPN N.O.		1	
DC 3 wire 5-36V NPN N.C.		2	
DC 3 wire 5-36V PNP N.O.		3	
DC 3 wire 5-36V PNP N.C.		4	
DC 4 wire 5-36V Changeover PNP (N.O & N.C.)		5	
DC 4 wire 5-36V Changeover NPN (N.O & N.C.)		6	

Dimensions (unit: mm)

Cable 2M (PVC)	5.8φ 3x0.5 or 5.8φ 4x0.5
Weight	Approx.180 g Approx.182 g

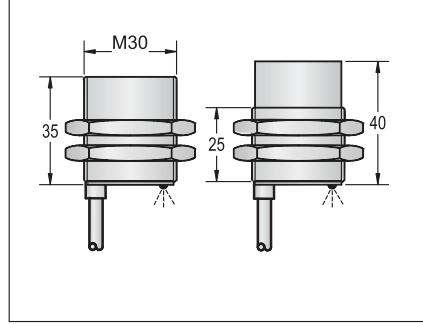
M30	
-----	--

● ○
10 mm 15 mm
Stainless steel or Nickel plated brass
●



Operating Voltage	10-30VDC / 5-36VDC / 10-55VDC / 10-60VDC
Ripple	<10%
No Load Current	<10mA
Max. Load Current	200mA
Leakage Current	<0.01mA
Voltage Drop	<1.5V
Switching Frequency	300HZ 150HZ
Response Time	0.5ms/0.5ms 1ms/1ms
Switching Hysteresis	<15%(Sr)
Repeat Accuracy	<1.0%(Sr)
Protection Category	IP67
Operating Temperature	-25 °C - +70 °C
Temperature Drift	<10%(Sr)
Short Circuit Protection	YES
Overload Trip Point	220mA
Material Active Face	PBT

DC 3 wire 10-30V NPN N.O.	HG-A10NO-M30E	1	HG-B15NO-M30E
DC 3 wire 10-30V NPN N.C.	HG-A10NC-M30E	2	HG-B15NC-M30E
DC 3 wire 10-30V PNP N.O.	HG-A10PO-M30E	3	HG-B15PO-M30E
DC 3 wire 10-30V PNP N.C.	HG-A10PC-M30E	4	HG-B15PC-M30E
DC 4 wire 10-30V Changeover PNP (N.O. & N.C.)	HG-A10PS-M30E	5	HG-B15PS-M30E
DC 4 wire 10-30V Changeover NPN (N.O. & N.C.)	HG-A10NS-M30E	6	HG-B15NS-M30E
DC 2 wire 10-60V N.O. *	HG-A10DO-M30E	7	HG-B15DO-M30E
DC 2 wire 10-60V N.C. *	HG-A10DC-M30E	8	HG-B15DC-M30E
DC 3 wire 10-55V NPN N.O.		1	
DC 3 wire 10-55V NPN N.C.		2	
DC 3 wire 10-55V PNP N.O.		3	
DC 3 wire 10-55V PNP N.C.		4	
DC 3 wire 5-36V NPN N.O.		1	
DC 3 wire 5-36V NPN N.C.		2	
DC 3 wire 5-36V PNP N.O.		3	
DC 3 wire 5-36V PNP N.C.		4	
DC 4 wire 5-36V Changeover PNP (N.O & N.C.)		5	
DC 4 wire 5-36V Changeover NPN (N.O & N.C.)		6	



Cable 2M (PVC)	5.8φ 3x0.5 or 5.8φ 4x0.5
Weight	Approx.217 g Approx.207 g

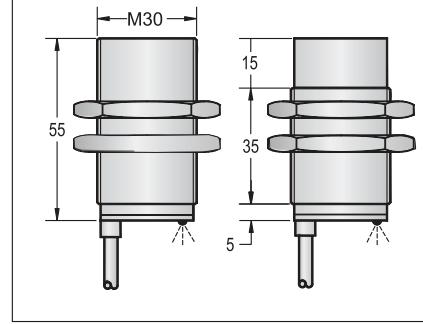
M30	
-----	--

● ○
10 mm 15 mm
Stainless steel or Nickel plated brass
●



Operating Voltage	10-30VDC / 5-36VDC / 10-55VDC / 10-60VDC
Ripple	<10%
No Load Current	<10mA
Max. Load Current	200mA
Leakage Current	<0.01mA
Voltage Drop	<1.5V
Switching Frequency	300HZ 150HZ
Response Time	0.5ms/0.5ms 1ms/1ms
Switching Hysteresis	<15%(Sr)
Repeat Accuracy	<1.0%(Sr)
Protection Category	IP67
Operating Temperature	-25 °C - +70 °C
Temperature Drift	<10%(Sr)
Short Circuit Protection	YES
Overload Trip Point	220mA
Material Active Face	PBT

DC 3 wire 10-30V NPN N.O.	HG-A10NO-M30E-1	1	HG-B15NO-M30E-1
DC 3 wire 10-30V NPN N.C.	HG-A10NC-M30E-1	2	HG-B15NC-M30E-1
DC 3 wire 10-30V PNP N.O.	HG-A10PO-M30E-1	3	HG-B15PO-M30E-1
DC 3 wire 10-30V PNP N.C.	HG-A10PC-M30E-1	4	HG-B15PC-M30E-1
DC 4 wire 10-30V Changeover PNP (N.O. & N.C.)	HG-A10PS-M30E-1	5	HG-B15PS-M30E-1
DC 4 wire 10-30V Changeover NPN (N.O. & N.C.)	HG-A10NS-M30E-1	6	HG-B15NS-M30E-1
DC 2 wire 10-60V N.O. *	HG-A10DO-M30E-1	7	HG-B15DO-M30E-1
DC 2 wire 10-60V N.C. *	HG-A10DC-M30E-1	8	HG-B15DC-M30E-1
DC 3 wire 10-55V NPN N.O.		1	
DC 3 wire 10-55V NPN N.C.		2	
DC 3 wire 10-55V PNP N.O.		3	
DC 3 wire 10-55V PNP N.C.		4	
DC 3 wire 5-36V NPN N.O.		1	
DC 3 wire 5-36V NPN N.C.		2	
DC 3 wire 5-36V PNP N.O.		3	
DC 3 wire 5-36V PNP N.C.		4	
DC 4 wire 5-36V Changeover PNP (N.O & N.C.)		5	
DC 4 wire 5-36V Changeover NPN (N.O & N.C.)		6	



Cable 2M (PVC)	5.8φ 3x0.5 or 5.8φ 4x0.5
Weight	Approx.217 g Approx.207 g