

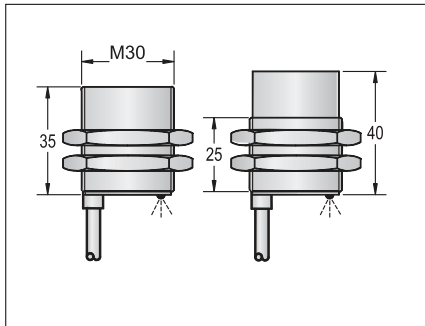
DC INDUCTIVE PROXIMITY SENSORS

M30	
●	○
16 mm	25 mm
Stainless steel or Nickel plated brass	
●	



10-30VDC / 5-36VDC / 10-55VDC / 10-60VDC	
<10%	
<10mA	
200mA	
<0.01mA	
<2.0V	
150HZ	100HZ
1ms/1ms	1ms/1ms
<15%(Sr)	
<1.0%(Sr)	
IP67	
-25 °C - +70 °C	
<10%(Sr)	
YES	
220mA	
PBT	

HG-A16NO-M30E	1	HG-B25NO-M30E
HG-A16NC-M30E	2	HG-B25NC-M30E
HG-A16PO-M30E	3	HG-B25PO-M30E
HG-A16PC-M30E	4	HG-B25PC-M30E
HG-A16PS-M30E	5	HG-B25PS-M30E
HG-A16NS-M30E	6	HG-B25NS-M30E
HG-A16DO-M30E	7	HG-B25DO-M30E
HG-A16DC-M30E	8	HG-B25DC-M30E
	1	
	2	
	3	
	4	
	1	
	2	
	3	
	4	
	5	
	6	



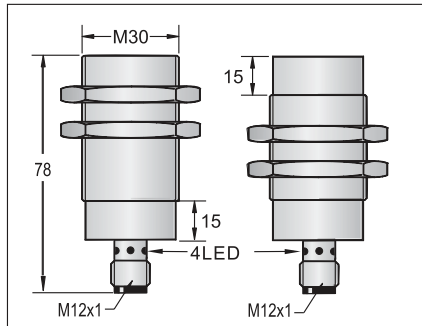
5.8 ϕ 3x0.5 or 5.8 ϕ 4x0.5	
Approx.180 g	Approx.182 g

M30	
●	○
16 mm	25 mm
Stainless steel or Nickel plated brass	
●	



10-30VDC / 5-36VDC / 10-55VDC / 10-60VDC	
<10%	
<10mA	
200mA	
<0.01mA	
<2.0V	
150HZ	100HZ
1ms/1ms	1ms/1ms
<15%(Sr)	
<1.0%(Sr)	
IP67	
-25 °C - +70 °C	
<10%(Sr)	
YES	
220mA	
PBT	

HG-A16NO-M30F2	1	HG-B25NO-M30F2
HG-A16NC-M30F2	2	HG-B25NC-M30F2
HG-A16PO-M30F2	3	HG-B25PO-M30F2
HG-A16PC-M30F2	4	HG-B25PC-M30F2
HG-A16PS-M30F2	5	HG-B25PS-M30F2
HG-A16NS-M30F2	6	HG-B25NS-M30F2
HG-A16DO-M30F2	7	HG-B25DO-M30F2
HG-A16DC-M30F2	8	HG-B25DC-M30F2
	1	
	2	
	3	
	4	
	1	
	2	
	3	
	4	
	5	
	6	



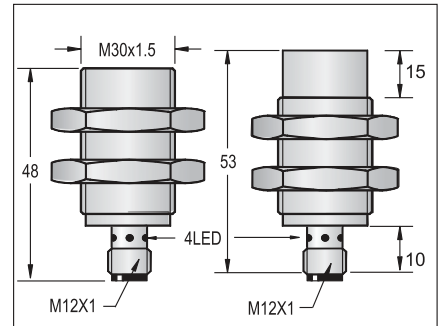
Approx.187 g	Approx.179 g
--------------	--------------

M30	
●	○
16 mm	25 mm
Stainless steel or Nickel plated brass	
●	



10-30VDC / 5-36VDC / 10-55VDC / 10-60VDC	
<10%	
<10mA	
200mA	
<0.01mA	
<2.0V	
150HZ	100HZ
1ms/1ms	1ms/1ms
<15%(Sr)	
<1.0%(Sr)	
IP67	
-25 °C - +70 °C	
<10%(Sr)	
YES	
220mA	
PBT	

HG-A16NO-M30F2-1	1	HG-B25NO-M30F2-1
HG-A16NC-M30F2-1	2	HG-B25NC-M30F2-1
HG-A16PO-M30F2-1	3	HG-B25PO-M30F2-1
HG-A16PC-M30F2-1	4	HG-B25PC-M30F2-1
HG-A16PS-M30F2-1	5	HG-B25PS-M30F2-1
HG-A16NS-M30F2-1	6	HG-B25NS-M30F2-1
HG-A16DO-M30F2-1	7	HG-B25DO-M30F2-1
HG-A16DC-M30F2-1	8	HG-B25DC-M30F2-1
	1	
	2	
	3	
	4	
	1	
	2	
	3	
	4	
	5	
	6	



Approx.111 g	Approx.121 g
--------------	--------------

