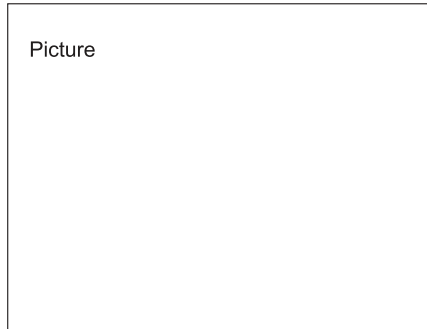


DC INDUCTIVE PROXIMITY SENSORS

Diameter
● Shielded ○ Non-shielded
Switching Distance Sn: mm
Housing Material
● With LED ○ Without LED



Operating Voltage
Ripple
No Load Current
Max. Load Current
Leakage Current
Voltage Drop
Switching Frequency
Response Time
Switching Hysteresis
Repeat Accuracy
Protection Category
Operating Temperature
Temperature Drift
Short Circuit Protection
Overload Trip Point
Material Active Face

DC 3 wire 10-30V NPN N.O.
DC 3 wire 10-30V NPN N.C.
DC 3 wire 10-30V PNP N.O.
DC 3 wire 10-30V PNP N.C.
DC 4 wire 10-30V Changeover PNP (N.O. & N.C.)
DC 4 wire 10-30V Changeover NPN (N.O. & N.C.)
DC 2 wire 10-60V N.O. *
DC 2 wire 10-60V N.C. *
DC 3 wire 10-55V NPN N.O.
DC 3 wire 10-55V NPN N.C.
DC 3 wire 10-55V PNP N.O.
DC 3 wire 10-55V PNP N.C.
DC 3 wire 5-36V NPN N.O.
DC 3 wire 5-36V NPN N.C.
DC 3 wire 5-36V PNP N.O.
DC 3 wire 5-36V PNP N.C.
DC 4 wire 5-36V Changeover PNP (N.O & N.C.)
DC 4 wire 5-36V Changeover NPN (N.O & N.C.)

Dimensions (unit: mm)

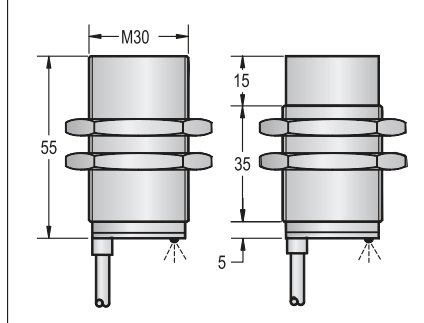
Cable 2M (PVC)
Weight

M30	
●	○
16 mm	25 mm
Stainless steel or Nickel plated brass	
●	



10-30VDC / 5-36VDC / 10-55VDC / 10-60VDC
<10%
<10mA
200mA
<0.01mA
<2.0V
150HZ 100HZ
1ms/1ms 1ms/1ms
<15%(Sr)
<1.0%(Sr)
IP67
-25 °C - +70 °C
<10%(Sr)
YES
220mA
PBT

HG-A16NO-M30E-1	1	HG-B25NO-M30E-1
HG-A16NC-M30E-1	2	HG-B25NC-M30E-1
HG-A16PO-M30E-1	3	HG-B25PO-M30E-1
HG-A16PC-M30E-1	4	HG-B25PC-M30E-1
HG-A16PS-M30E-1	5	HG-B25PS-M30E-1
HG-A16NS-M30E-1	6	HG-B25NS-M30E-1
HG-A16DO-M30E-1	7	HG-B25DO-M30E-1
HG-A16DC-M30E-1	8	HG-B25DC-M30E-1
	1	
	2	
	3	
	4	
	1	
	2	
	3	
	4	
	5	
	6	



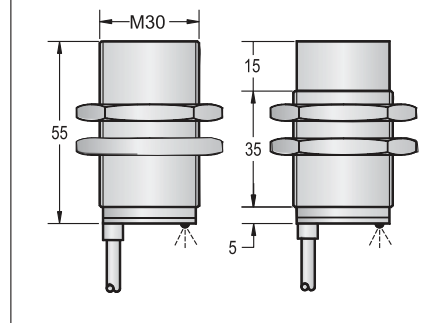
5.8φ 3x0.5 or 5.8φ 4x0.5
Approx.217 g Approx.207 g

M30	
●	○
22 mm	40 mm
Nickel plated brass	
●	



10-30VDC
<10%
<10mA
200mA
<0.01mA
<2.0V
300HZ 100HZ
0.5ms/0.5ms 1ms/1ms
<15%(Sr)
<1.0%(Sr)
IP67
-25 °C - +70 °C
<10%(Sr)
YES
220mA
PBT

HG-A22NO-M30E	1	HG-B40NO-M30E
HG-A22NC-M30E	2	HG-B40NC-M30E
HG-A22PO-M30E	3	HG-B40PO-M30E
HG-A22PC-M30E	4	HG-B40PC-M30E



5.8φ 3x0.5
Approx.217 g Approx.207 g

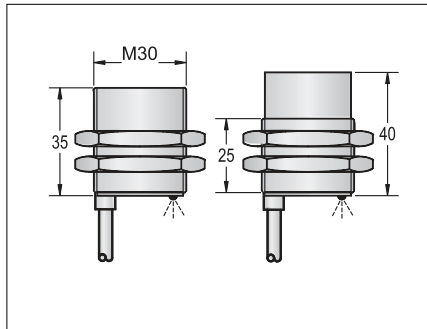
DC INDUCTIVE PROXIMITY SENSORS

M30	
●	○
22 mm	40 mm
Nickel plated brass	
●	



10-30VDC	
<10%	
<10mA	
200mA	
<0.01mA	
<2.0V	
300HZ	100HZ
0.5ms/0.5ms	1ms/1ms
<15%(Sr)	
<1.0%(Sr)	
IP67	
-25°C - +70°C	
<10%(Sr)	
YES	
220mA	
PBT	

HG-A22NO-M30E-1	1	HG-B40NO-M30E-1
HG-A22NC-M30E-1	2	HG-B40NC-M30E-1
HG-A22PO-M30E-1	3	HG-B40PO-M30E-1
HG-A22PC-M30E-1	4	HG-B40PC-M30E-1



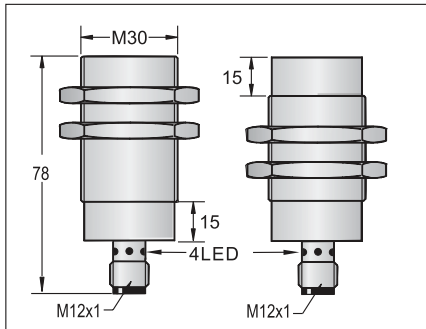
5.8 ϕ 3x0.5	
Approx.180 g	Approx.182 g

M30	
●	○
22 mm	40 mm
Nickel plated brass	
●	



10-30VDC	
<10%	
<10mA	
200mA	
<0.01mA	
<2.0V	
300HZ	100HZ
0.5ms/0.5ms	1ms/1ms
<15%(Sr)	
<1.0%(Sr)	
IP67	
-25°C - +70°C	
<10%(Sr)	
YES	
220mA	
PBT	

HG-A22NO-M30F2	1	HG-B40NO-M30F2
HG-A22NC-M30F2	2	HG-B40NC-M30F2
HG-A22PO-M30F2	3	HG-B40PO-M30F2
HG-A22PC-M30F2	4	HG-B40PC-M30F2



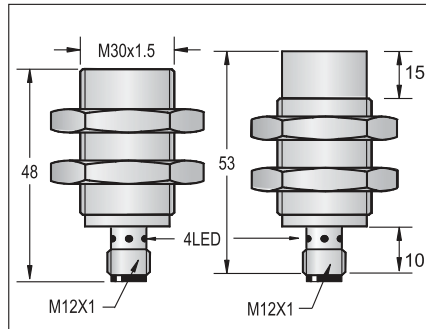
M12x1	
Approx.187 g	Approx.179 g

M30	
●	○
22 mm	40 mm
Nickel plated brass	
●	



10-30VDC	
<10%	
<10mA	
200mA	
<0.01mA	
<2.0V	
150HZ	100HZ
0.5ms/0.5ms	1ms/1ms
<15%(Sr)	
<1.0%(Sr)	
IP67	
-25°C - +70°C	
<10%(Sr)	
YES	
220mA	
PBT	

HG-A22NO-M30F2-1	1	HG-B40NO-M30F2-1
HG-A22NC-M30F2-1	2	HG-B40NC-M30F2-1
HG-A22PO-M30F2-1	3	HG-B40PO-M30F2-1
HG-A22PC-M30F2-1	4	HG-B40PC-M30F2-1



M12X1	
Approx.111 g	Approx.121 g