

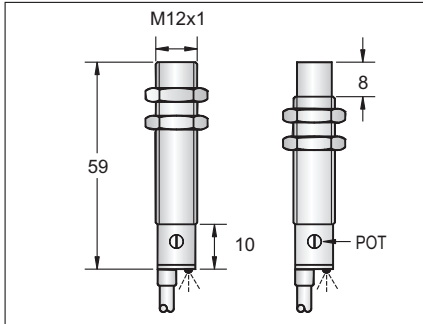
DC CAPACITIVE PROXIMITY SENSORS

M12	
●	○
1-3 mm adjustable	1-6 mm adjustable
Nickel plated brass	
●	



10-30VDC
<10%
<10mA
200mA
<0.01mA
<2VDC
100HZ
1.5ms/1.5ms
<15%(Sr)
<5%(Sr)
IP67
-25°C— +70°C
<10%(Sr)
YES
220mA
POM

CG-A3NO-M12E	1	CG-B6NO-M12E
CG-A3NC-M12E	2	CG-B6NC-M12E
CG-A3PO-M12E	3	CG-B6PO-M12E
CG-A3PC-M12E	4	CG-B6PC-M12E



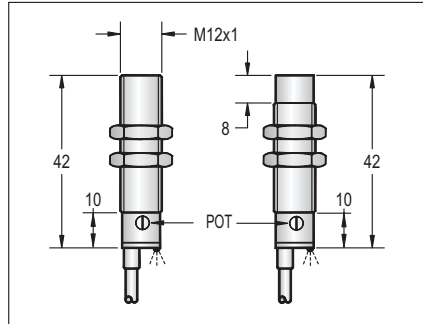
4 ∅ 3x0.15
approx.60g

M12	
●	○
1-3 mm adjustable	1-6 mm adjustable
Nickel plated brass	
●	



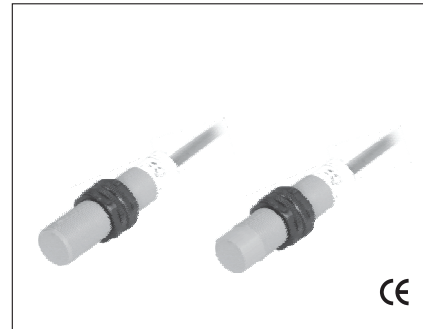
10-30VDC
<10%
<10mA
200mA
<0.01mA
<2VDC
100HZ
1.5ms/1.5ms
<15%(Sr)
<5%(Sr)
IP67
-25°C— +70°C
<10%(Sr)
YES
220mA
POM

CG-A3NO-M12E-1	1	CG-B6NO-M12E-1
CG-A3NC-M12E-1	2	CG-B6NC-M12E-1
CG-A3PO-M12E-1	3	CG-B6PO-M12E-1
CG-A3PC-M12E-1	4	CG-B6PC-M12E-1



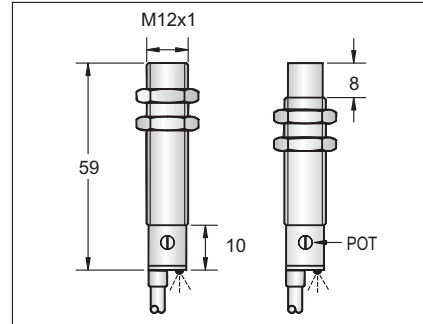
4 ∅ 3X0.15
Approx.55g

M12	
●	○
1-3 mm adjustable	1-6 mm adjustable
PBT RESIN	
●	



10-30VDC
<10%
<10mA
200mA
<0.01mA
<2VDC
100HZ
1.5ms/1.5ms
<15%(Sr)
<5%(Sr)
IP67
-25°C— +70°C
<10%(Sr)
YES
220mA
POM

CP-A3NO-M12E	1	CP-B6NO-M12E
CP-A3NC-M12E	2	CP-B6NC-M12E
CP-A3PO-M12E	3	CP-B6PO-M12E
CP-A3PC-M12E	4	CP-B6PC-M12E



4 ∅ 3x0.15
approx.60g

DC CAPACITIVE PROXIMITY SENSORS

Diameter

● Shielded ○ Non-shielded

Switching Distance Sn: mm

Housing Material

● With LED ○ Without LED

Picture

Operating Voltage

Ripple

No Load Current

Max. Load Current

Leakage Current

Voltage Drop

Switching Frequency

Response Time

Switching Hysteresis

Repeat Accuracy

Protection Category

Operating Temperature

Temperature Drift

Short Circuit Protection

Overload Trip Point

Material Active Face

DC 3 wire 10-30V NPN N.O.

DC 3 wire 10-30V NPN N.C.

DC 3 wire 10-30V PNP N.O.

DC 3 wire 10-30V PNP N.C.

DC 4 wire 10-30V Changeover PNP (N.O. & N.C.)

DC 4 wire 10-30V Changeover NPN (N.O. & N.C.)

DC 2 wire 10-60V N.O.

DC 2 wire 10-60V N.C.

DC 3 wire 10-55V NPN N.O.

DC 3 wire 10-55V NPN N.C.

DC 3 wire 10-55V PNP N.O.

DC 3 wire 10-55V PNP N.C.

DC 3 wire 5-36V NPN N.O.

DC 3 wire 5-36V NPN N.C.

DC 3 wire 5-36V PNP N.O.

DC 3 wire 5-36V PNP N.C.

DC 4 wire 5-36V Changeover PNP (N.O. & N.C.)

DC 4 wire 5-36V Changeover NPN (N.O. & N.C.)

Dimensions (unit: mm)

Cable 2M (PVC)

Weight

M12

●

○

1-3 mm adjustable

1-6 mm adjustable

PBT RESIN

●



CE

10-30VDC

<10%

<10mA

200mA

<0.01mA

<2VDC

100HZ

1.5ms/1.5ms

<15%(Sr)

<5%(Sr)

IP67

-25°C— +70°C

<10%(Sr)

YES

220mA

POM

CP-A3NO-M12E 1

CP-B6NO-M12E

CP-A3NC-M12E 2

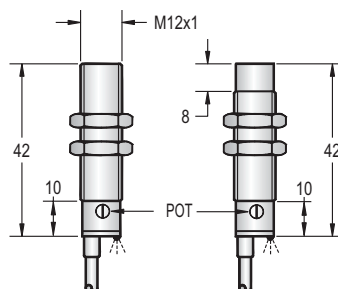
CP-B6NC-M12E

CP-A3PO-M12E 3

CP-B6PO-M12E

CP-A3PC-M12E 4

CP-B6PC-M12E



4 ∅ 3x0.15

Approx.55g

M12

●

○

1-3 mm adjustable

1-6 mm adjustable

Nickel plated brass

●



CE

10-30VDC

<10%

<10mA

200mA

<0.01mA

<2VDC

100HZ

1.5ms/1.5ms

<15%(Sr)

<5%(Sr)

IP67

-25°C— +70°C

<10%(Sr)

YES

220mA

POM

CP-A3NO-M12F2 1

CP-B6NO-M12F2

CP-A3NC-M12F2 2

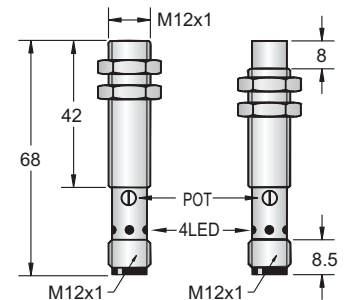
CP-B6NC-M12F2

CP-A3PO-M12F2 3

CP-B6PO-M12F2

CP-A3PC-M12F2 4

CP-B6PC-M12F2



approx.31g

approx.30g

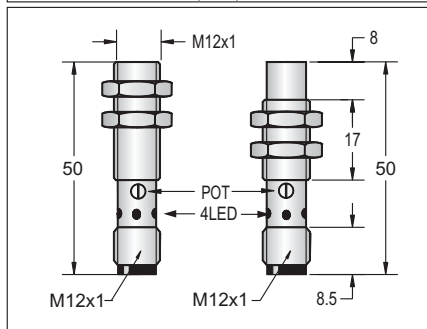
DC CAPACITIVE PROXIMITY SENSORS

M12	
●	○
1-3 mm adjustable	1-6 mm adjustable
nickel plated brass	
●	



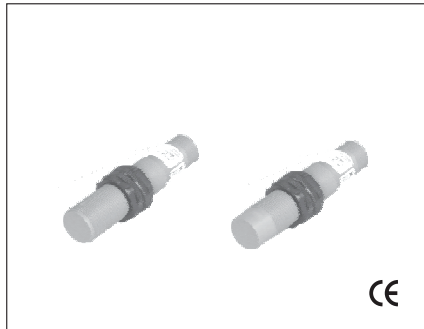
10-30VDC
<10%
<10mA
200mA
<0.01mA
<2VDC
100HZ
1.5ms/1.5ms
<15%(Sr)
<5%(Sr)
IP67
-25°C— +70°C
<10%(Sr)
YES
220mA
POM

CG-A3NO-M12F2-1	1	CG-B6NO-M12F2-1
CG-A3NC-M12F2-1	2	CG-B6NC-M12F2-1
CG-A3PO-M12F2-1	3	CG-B6PO-M12F2-1
CG-A3PC-M12F2-1	4	CG-B6PC-M12F2-1



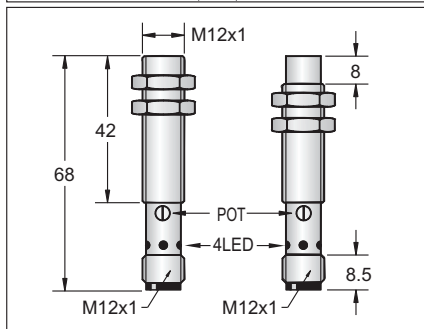
approx.25 g	Approx.23 g
-------------	-------------

M12	
●	○
1-3 mm adjustable	1-6 mm adjustable
PBT RESIN	
●	



10-30VDC
<10%
<10mA
200mA
<0.01mA
<2VDC
100HZ
1.5ms/1.5ms
<15%(Sr)
<5%(Sr)
IP67
-25°C— +70°C
<10%(Sr)
YES
220mA
POM

CP-A3NO-M12F2	1	CP-B6NO-M12F2
CP-A3NC-M12F2	2	CP-B6NC-M12F2
CP-A3PO-M12F2	3	CP-B6PO-M12F2
CP-A3PC-M12F2	4	CP-B6PC-M12F2



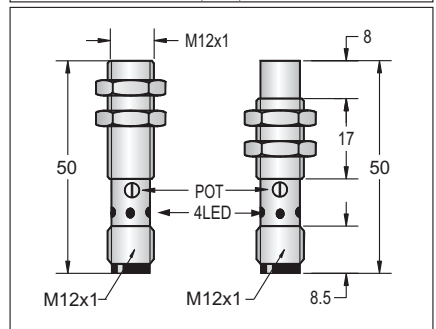
approx.25 g	Approx.23 g
-------------	-------------

M12	
●	○
1-3 mm adjustable	1-6 mm adjustable
PBT RESIN	
●	



10-30VDC
<10%
<10mA
200mA
<0.01mA
<2VDC
100HZ
1.5ms/1.5ms
<15%(Sr)
<5%(Sr)
IP67
-25°C— +70°C
<10%(Sr)
YES
220mA
POM

CP-A3NO-M12F2-1	1	CP-B6NO-M12F2-1
CP-A3NC-M12F2-1	2	CP-B6NC-M12F2-1
CP-A3PO-M12F2-1	3	CP-B6PO-M12F2-1
CP-A3PC-M12F2-1	4	CP-B6PC-M12F2-1



approx.25 g	Approx.23 g
-------------	-------------