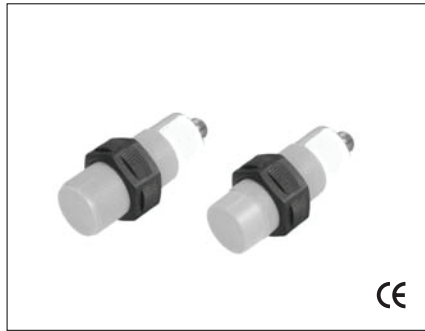


DC CAPACITIVE PROXIMITY SENSORS

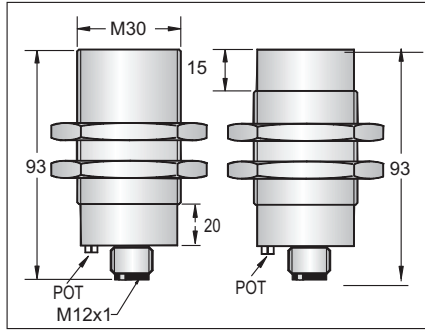
M30	
●	○
2-20mm adjustable	2-30mm adjustable
PBT RESIN	
●	



CE

10-30VDC
<10%
<10mA
200mA
<0.01mA
<2VDC
100HZ
1.5ms/1.5ms
<15%(Sr)
<5%(Sr)
IP67
-25°C— +70°C
<10%(Sr)
YES
220mA
PBT

CP-A20NO-M30F2	1	CP-B30NO-M30F2
CP-A20NC-M30F2	2	CP-B30NC-M30F2
CP-A20PO-M30F2	3	CP-B30PO-M30F2
CP-A20PC-M30F2	4	CP-B30PC-M30F2
CP-A20PS-M30F2	5	CP-B30PS-M30F2
CP-A20NS-M30F2	6	CP-B30NS-M30F2



5.8φ 3x0.5(5.8 φ 4x0.5)	
Approx.190g	Approx.185g

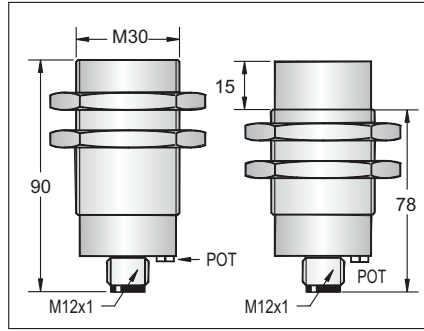
M30	
●	○
2-20mm adjustable	2-30 mm adjustable
Nickel plated brass	
●	



CE

10-30VDC
<10%
<10mA
300mA
<0.01mA
<2VDC
100HZ
1.5ms/1.5ms
<15%(Sr)
<5%(Sr)
IP67
-25°C— +70°C
<10%(Sr)
YES
350mA
PBT

CG-A20NO-M30F2	1	CG-B30NO-M30F2
CG-A20NC-M30F2	2	CG-B30NC-M30F2
CG-A20PO-M30F2	3	CG-B30PO-M30F2
CG-A20PC-M30F2	4	CG-B30PC-M30F2
CG-A20PS-M30F2	5	CG-B30PS-M30F2
CG-A20NS-M30F2	6	CG-B30NS-M30F2



approx.147g	approx.137g
-------------	-------------

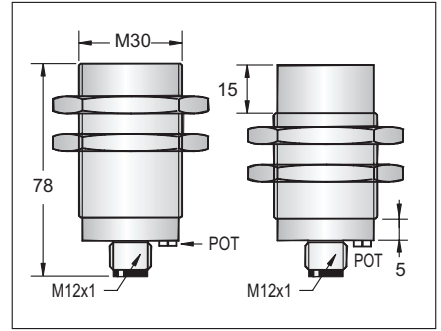
M30	
●	○
2-20mm adjustable	2-30 mm adjustable
Nickel plated brass	
●	



CE

10-30VDC
<10%
<10mA
200mA
<0.01mA
<2VDC
100HZ
1.5ms/1.5ms
<15%(Sr)
<5%(Sr)
IP67
-25°C— +70°C
<10%(Sr)
YES
220mA
PBT

CG-A20NO-M30F2-1	1	CG-B30NO-M30F2-1
CG-A20NC-M30F2-1	2	CG-B30NC-M30F2-1
CG-A20PO-M30F2-1	3	CG-B30PO-M30F2-1
CG-A20PC-M30F2-1	4	CG-B30PC-M30F2-1
CG-A20PS-M30F2-1	5	CG-B30PS-M30F2-1
CG-A20NS-M30F2-1	6	CG-B30NS-M30F2-1



approx.147g	approx.137g
-------------	-------------